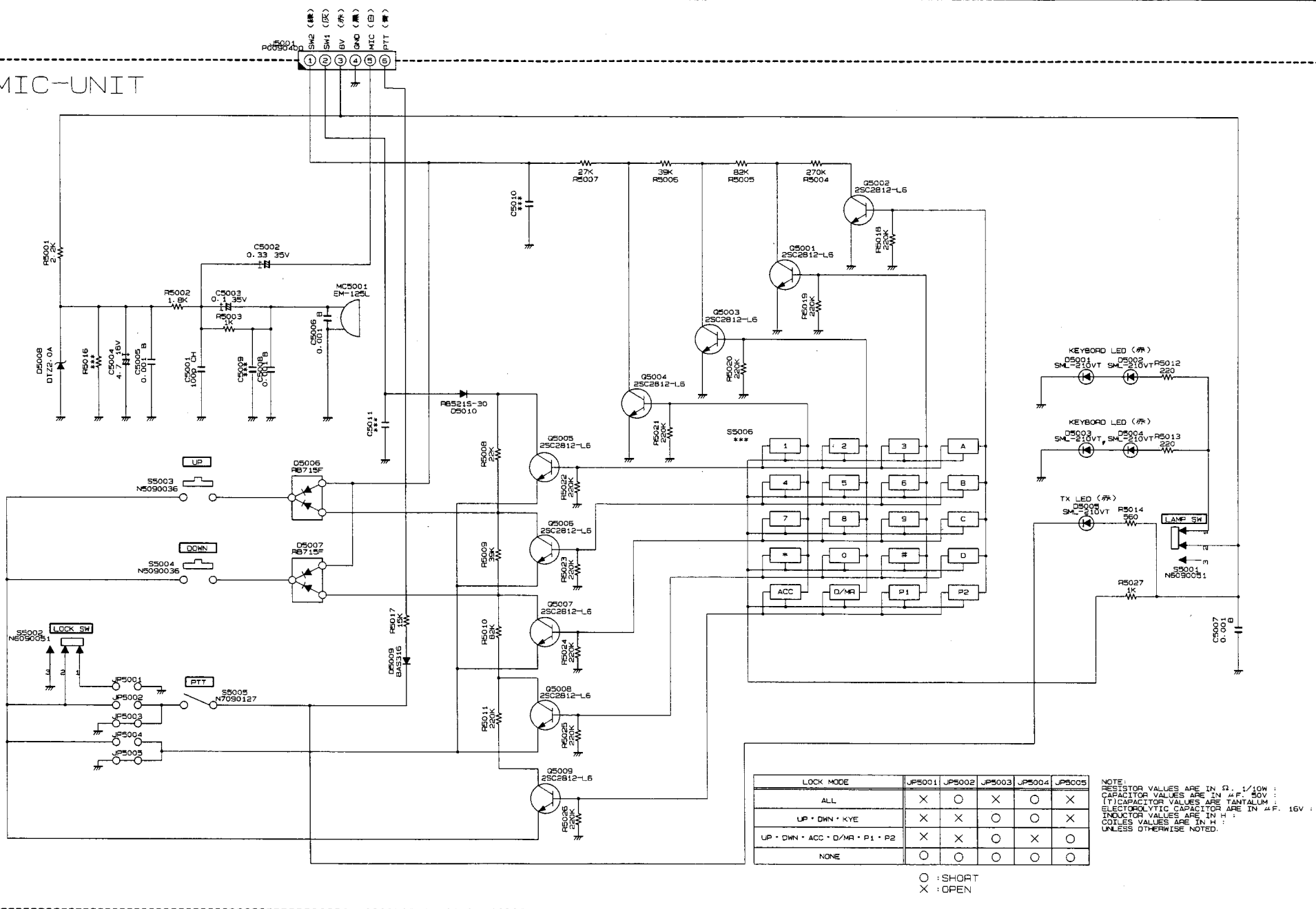


MIC-UNIT



LOCK MODE	JP5001	JP5002	JP5003	JP5004	JP5005
ALL	X	O	X	O	X
UP * DWN * KYE	X	X	O	O	X
UP * DWN * ACC * D/MR * P1 * P2	X	X	O	X	O
NONE	O	O	O	O	O

O : SHORT
X : OPEN

NOTE:
RESISTOR VALUES ARE IN Ω, 1/10W ;
CAPACITOR VALUES ARE IN μF, 50V ;
(T)CAPACITOR VALUES ARE TANTALUM ;
ELECTROLYTIC CAPACITOR ARE IN μF, 16V ;
INDUCTOR VALUES ARE IN H ;
COILS VALUES ARE IN H ;
UNLESS OTHERWISE NOTED.

CIRCUIT DIAGRAM	MODEL MH-48
DES. B-AAA43X000/MIC-UNIT	
REF. BP0068500A.cir/001.sht EDITION	
DATE 28 JUL. 1999	UPDATE 09 DEC. 1999
VERTEX STANDARD CO., LTD.	